

THE PROPERTY OF THIS DRAWING IS ESTABLISHED BY LAW  
IT IS FORBIDDEN TO REPRODUCE IT OR SHOW IT TO THIRD PARTY  
WITHOUT A WRITTEN AGREEMENT.

MODIFICATIONS:

7	10
8	11
9	12

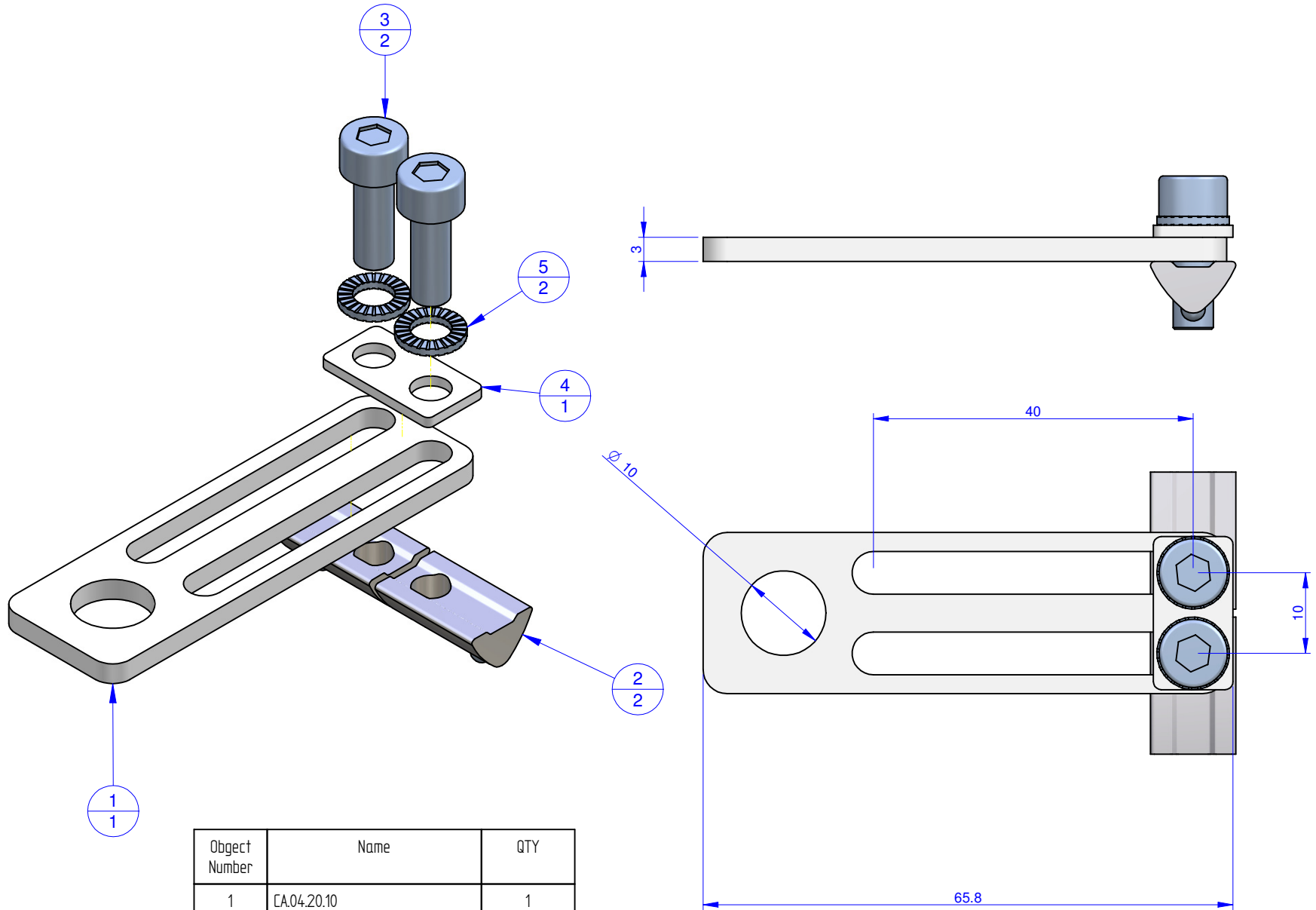
VARIED DIMENSIONS AS OF DATE:

MODIFICATIONS:

1	4
2	5
3	6

VARIED DIMENSIONS AS OF DATE:

Format **A3**  
UNI 936-76



Object Number	Name	QTY
1	CA.04.20.10	1
2	CA.02.05.005	2
3	V.TCEI MSX14	2
4	R.05.10	1
5	R.5.SCH	2

<b>FP Services</b>		DESIGNED FROM FPSERVICES	
GENERAL TOLERANCE: UNI - ISO 2768 CLASSE f		DATE 02/2014	WEIGHT 0,038 kg
DESCRIPTION		CODE <b>CA.04.20.10.6</b>	

